

PLASSON[®]

USA



ELECTROFUSION ADJUSTABLE ELBOWS

PE4710 / PE100 4" IPS – 12" IPS



Plasson USA Electrofusion Fittings are specifically designed for reliable, high performance pipe joining and long system life. The Plasson automated Electrofusion system has been proven to be the most economical due to the low potential for operator error.

Plasson USA Electrofusion Adjustable Elbows provide an unmatched solution for those difficult tie-ins or repairs. The flexible design of this fitting is truly one of a kind and a great solution for your field applications.



INDUSTRIAL



GAS



MINING



WATER



FIRE
PROTECTION



LANDFILL

www.PlassonUSA.com

Plasson USA | 305 N 7th St., Corsicana, TX 75110 | 800-241-4175
Stafford, TX | Missoula, MT | Corsicana, TX

ELECTROFUSION ADJUSTABLE ELBOWS

Available sizes: 4" IPS - 12" IPS | 40 Volts, 4.0MM Pin with Universal Barcode

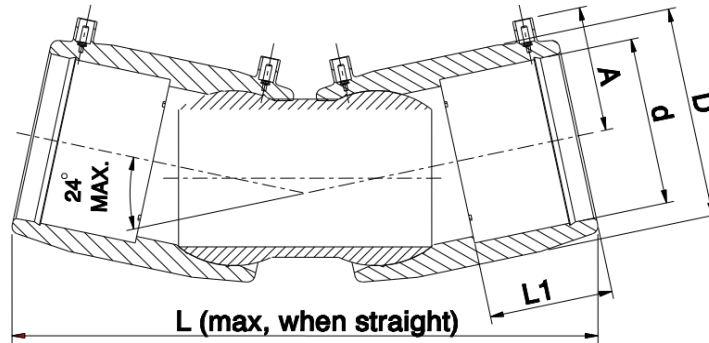
Fusion and Cooling times are clearly marked on the barcode of every fitting. This information may also be obtained with the barcode reader.

Plasson USA Electrofusion Fittings are designed, tested and quality controlled in accordance with Plasson's internal standards. Plasson USA Electrofusion Fittings meet or exceed the following standards:

- ASTM D2513
- ASTM F1055
- ASTM F2897
- ISO 8085
- ISO 14236
- AWWA C906, FM 1613 (FM Approved Fittings Only)
- NSF 61

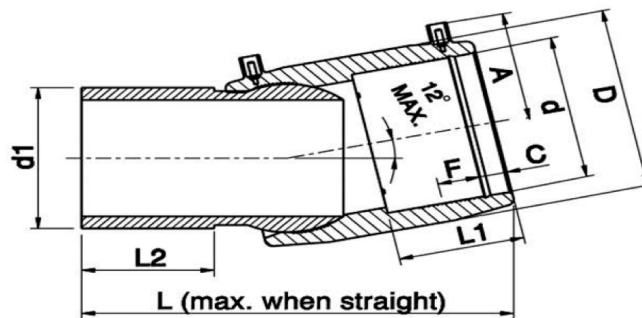
PRODUCT DATA

PRODUCT CODE	PRODUCT DESCRIPTION	PRIMARY DIMENSION	SECONDARY DIMENSION	PRESSURE RATING GAS	PRESSURE CLASS (WATER)	FITTING RAW MATERIAL	AMBIENT FUSION TEMPERATURE
5947B	Adjustable Elbow	4" IPS - 12" IPS	N/A	125 PSI	200 PSI	PE 4710/PE 100	14 - 113°F



DIMENSIONS

ITEM NUMBER	PIPE SIZE	d inch (mm)	D inch (mm)	L inch (mm)	L1 inch (mm)	A inch (mm)	Ω 20°C @ ohms	FUSE TIME (sec.)	COOL TIME (min.)	WEIGHT lb (g)
5947B003040	4 IPS	4.52 (114.7)	5.51 (140.0)	14.37 (365.0)	3.23 (82.0)	3.46 (88.0)	1.00	160	10	4.47 (2030)
5947B003060	6 IPS	6.63 (168.5)	8.78 (223.0)	20.27 (515.0)	4.05 (103.0)	4.96 (126.0)	0.59	240	15	18.0 (8170)
5947B003080	8 IPS	8.64 (219.4)	10.98 (279.0)	23.62 (600)	4.35 (110.5)	5.51 (140.0)	0.741	600	30	30.0 (13600)
5947B003120	12 IPS	12.80 (324.0)	15.2 (386.0)	25.7 (652.0)	5.35 (131.0)	7.60 (186.0)	0.55	900	30	68.0 (31000)



DIMENSIONS

ITEM NUMBER	PIPE SIZE	d inch (mm)	d1 inch (mm)	D inch (mm)	L inch (mm)	L1 inch (mm)	L2 inch (mm)	A inch (mm)	Ω 20°C @ ohms	FUSE TIME (sec.)	COOL TIME (min.)	WEIGHT lb (g)
5947B0S3080	8 IPS	8.64 (219.4)	8.62 (219.1)	10.98 (279.0)	16.73 (425.0)	4.35 (110.5)	5.86 (149.0)	5.51 (140.0)	0.741	600	30	18.5 (8400)
5947B0S3120	12 IPS	12.8 (324.0)	12.74 (323.7)	15.20 (386.0)	20.10 (510.0)	5.35 (131.0)	7.09 (180.0)	7.60 (186.0)	0.55	900	30	61.7 (28000)

www.PlassonUSA.com

Plasson USA | 305 N 7th St., Corsicana, TX 75110 | 800-241-4175
Stafford, TX | Missoula, MT | Corsicana, TX